

Zemic Loadcell



www.zemic.nl

Model: **L6N**

Platform Cell



RoHS

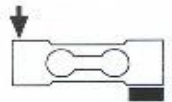


Features

- Capacities: 3kg ~ 100kg
- High accuracy
- Aluminum cantilever beam structure
- Max. platform size: 400 × 400
- With OIML approval: (PTB: D09-06.11)

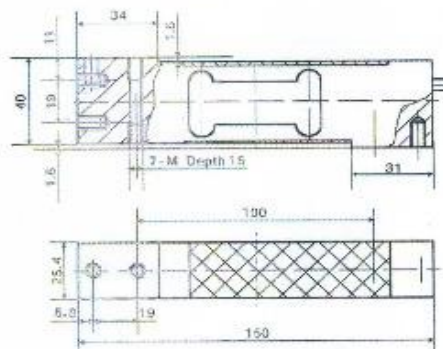


Specifications



Capacity	kg	3 / 5 / 8 / 10 / 15 / 20 / 30 / 50 / 75 / 100		
Output Sensitivity	mV/V	2.0 ± 0.2		
Accuracy Class		C3D	C3	C3G
Max. Number of Verification Intervals		2500	3000	4000
Minimum Loadcell Verification Interval	g	E _{max} /5000	E _{max} /7000	E _{max} /11000
Temperature Effect on Zero	%FS/10°C	≤ ± 0.0280	≤ ± 0.0200	≤ ± 0.0127
Temperature Effect on Sensitivity	%FS/10°C	≤ ± 0.0210	≤ ± 0.0175	≤ ± 0.0131
Combined Error	%FS	≤ ± 0.0300	≤ ± 0.0200	≤ ± 0.0150
Creep	%FS	≤ ± 0.0200	≤ ± 0.0167	≤ ± 0.0125
Input Resistance	Ω	406 ± 6		
Output Resistance	Ω	350 ± 3		
Insulation Resistance	MΩ	≥ 5000		
Zero Balance	%FS	2		
Rated Temperature	°C	-10 ~ +40		
Temperature, Operating	°C	-20 ~ +50		
Excitation, Recommended	V	5 ~ 15		
Safe Overload	%FS	150		
Ultimate Overload	%FS	300		

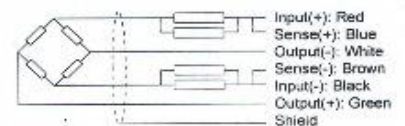
Dimension



Note: Dimensions in millimeters

	Metric	Imperial
M	M6	1/4-20UNC

Wiring:
Cable length: 3.0 ± 0.1 m.
Cable diameter: 5.0 ± 0.2 mm.



Zemic Europe



www.zemic.nl

Model: **L6G**

Platform Cell

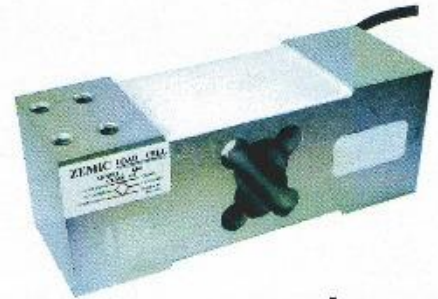


RoHS

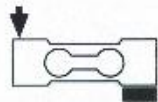


Features

- Capacities: 50kg ~ 600kg
- High accuracy
- Aluminum parallel beam construction
- Max. platform size: 600 x 600
- Integral installation
- With OIML approval: (PTB: D09-03.22)

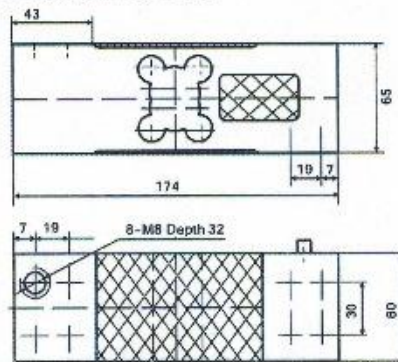


Specifications



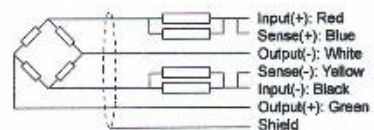
Capacity	kg	50 / 100 / 150 / 200 / 250 / 300 / 500 / 600		
Output Sensitivity	mw/v	2.0 ± 0.2		
Accuracy Class		C3D	C3	C3G
Max. Number of Verification Intervals		2500	3000	4000
Minimum Loadcell Verification Interval	g	$E_{max}/5000$	$E_{max}/7000$	$E_{max}/11000$
Temperature Effect on Zero	%FS/10°C	≤ ± 0.0280	≤ ± 0.0200	≤ ± 0.0127
Temperature Effect on Sensitivity	%FS/10°C	≤ ± 0.0210	≤ ± 0.0175	≤ ± 0.0131
Combined Error	%FS	≤ ± 0.0300	≤ ± 0.0200	≤ ± 0.0150
Creep	%FS	≤ ± 0.0200	≤ ± 0.0187	≤ ± 0.0125
Input Resistance	Ω	406 ± 6 / 1085 ± 15		
Output Resistance	Ω	350 ± 3 / 1000 ± 5		
Insulation Resistance	MΩ	≥ 5000		
Zero Balance	%FS	2		
Temperature, Compensated	°C	-10 ~ +40		
Temperature, Operating	°C	-20 ~ +50		
Excitation, Recommended	v	5 ~ 15		
Safe Overload	%FS	150		
Ultimate Overload	%FS	300		

Dimension



Note: Dimensions in millimeters

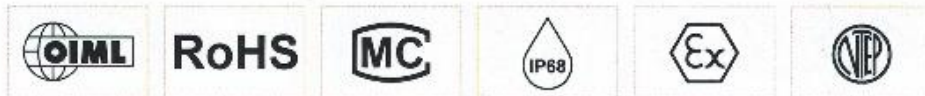
Wiring:
Cable length: 3.0 ± 0.1 m.
Cable diameter: 6.0 ± 0.2 mm.



Zemic Europe



Model: **BM11**
Single Ended Beam



Features

- Capacities: 20kg ~ 500kg
- High accuracy
- Stainless steel construction
- Low profile and nice exterior
- With OIML approval: (PTB: D09-06.44)

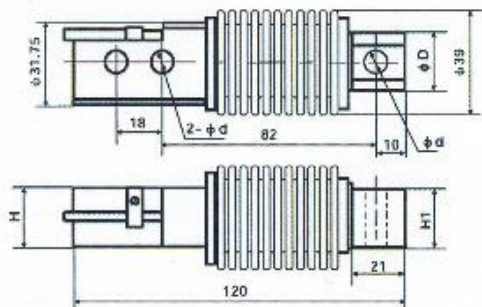


Specifications



Capacity	kg	20 / 30 / 50 / 100 / 200 / 350 / 500		
Accuracy Class		C2	C3	C4
Max. Number of Verification Intervals	n_{max}	2000	3000	4000
Minimum Loadcell Verification Interval	V_{min}	$E_{max}/5000$	$E_{max}/7500$	$E_{max}/14000$
Combined Error	%FS	$\leq \pm 0.030$	$\leq \pm 0.020$	$\leq \pm 0.018$
Creep	%FS/30min	$\leq \pm 0.023$	$\leq \pm 0.016$	$\leq \pm 0.012$
Temperature Effect on Sensitivity	%FS/10°C	$\leq \pm 0.017$	$\leq \pm 0.011$	$\leq \pm 0.009$
Temperature Effect on Zero	%FS/10°C	$\leq \pm 0.029$	$\leq \pm 0.019$	$\leq \pm 0.010$
Output Sensitivity	mv/v	2.0 ± 0.02		
Input Resistance	Ω	430 ± 50		
Output Resistance	Ω	351 ± 2.0		
Insulation Resistance	M Ω	≥ 5000(50VDC)		
Zero Balance	%FS	1.0		
Temperature, Compensated	°C	-10 ~ +40		
Temperature, Allowed	°C	-35 ~ +65		
Excitation, Recommended	v	5 ~ 12(DC)		
Excitation, Max	v	18(DC)		
Safe Overload	%FS	120		
Ultimate Overload	%FS	150		

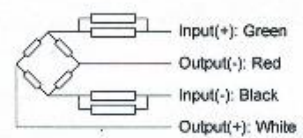
Dimension



Note: Dimensions in millimeters

Capacity	d	D	H1	H
20-200 kg	8.2	23	20	20
350-500kg	10.3	24	19	20

Wiring:
Standard cable length: 3m.





Model: **BM14A**

Compression Cell

RoHS



Features

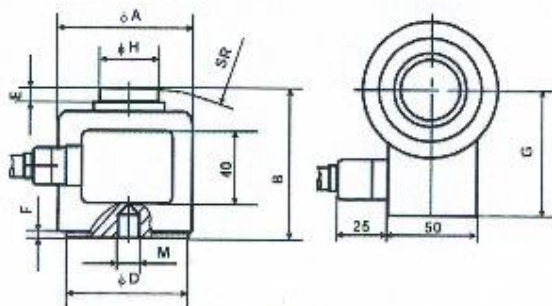
- Capacities: 10t ~ 100t
- High accuracy
- Four columns construction
- Total Stainless steel construction
- Easy installation and reliable performance
- With OIML approval: (PTB: D09-07.01)



Specifications

Capacity	t	10 / 25 / 40 / 60 / 100	
Approvals		C2	C3
Max. Number of Verification Intervals	n_{max}	2000	3000
Minimum Loadcell Verification Interval	V_{min}	$E_{max}/5000$	$E_{max}/7500$
Combined Error	%FS	$\leq \pm 0.030$	$\leq \pm 0.020$
Creep	%FS/30min	$\leq \pm 0.023$	$\leq \pm 0.016$
Temperature Effect on Sensitivity	%FS/10°C	$\leq \pm 0.017$	$\leq \pm 0.011$
Temperature Effect on Zero	%FS/10°C	$\leq \pm 0.029$	$\leq \pm 0.019$
Output Sensitivity	mV/V	2.0 ± 0.002	
Input Resistance	Ω	450 ± 4.5	
Output Resistance	Ω	480 ± 4.8	
Insulation Resistance	M Ω	$\geq 5000(50VDC)$	
Zero Balance	%FS	1.0	
Temperature, Compensated	°C	-10 ~ +40	
Temperature, Allowed	°C	-40 ~ +80	
Excitation, Recommended	V	5 ~ 12(DC)	
Excitation, Max	V	18(DC)	
Safe Overload	%FS	150	
Ultimate Overload	%FS	300	

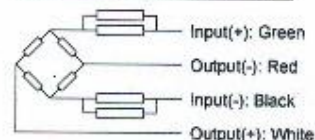
Dimension



Note: Dimensions in millimeters

Wiring:
Standard cable length: 10t: 10m
25-100t: 20m

Capacity	10,25 t	40,60 t	100 t
A	73	106	151.4
B	82.5	127	184.2
C	38.23	66.07	87.35
D	58	82.6	123.8
E	7.75	8.4	23.16
F	2.8	4	3.7
G	84	87	108
H	31.8	58.7	78.4
M	M12x1.75	M20x2.5	M20x2.5
SR	152	152	432





Model: **BM14G**
Compression Cell

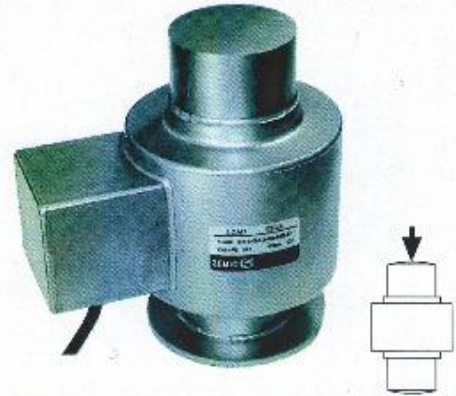


RoHS



Features

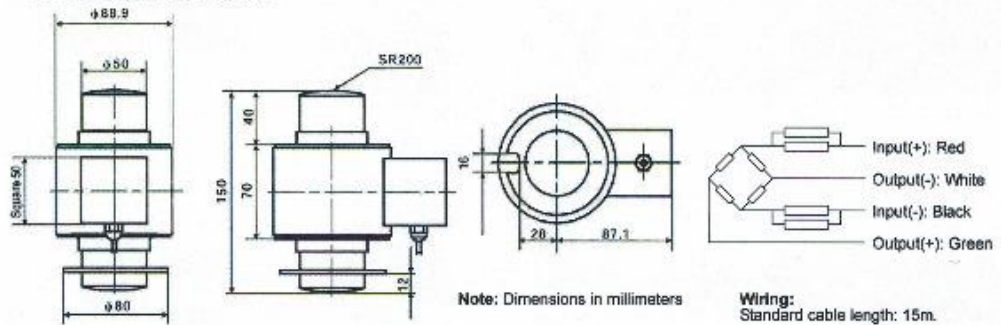
- Capacities: 10t ~ 50t
- High accuracy
- Four columns construction
- Easy installation and reliable performance
- With OIML approval: (PTB: D09-05.21)



Specifications

Capacity	t	10 / 20 / 30 / 40 / 50		
Accuracy Class		C2	C3	C4
Max. Number of Verification Intervals	n_{max}	2000	3000	4000
Minimum Loadcell Verification Interval	V_{min}	$E_{max}/5000$	$E_{max}/12000$	$E_{max}/14000$
Combined Error	%FS	$\leq \pm 0.030$	$\leq \pm 0.020$	$\leq \pm 0.018$
Creep	%FS/30min	$\leq \pm 0.023$	$\leq \pm 0.016$	$\leq \pm 0.012$
Temperature Effect on Sensitivity	%FS/10°C	$\leq \pm 0.017$	$\leq \pm 0.011$	$\leq \pm 0.009$
Temperature Effect on Zero	%FS/10°C	$\leq \pm 0.029$	$\leq \pm 0.012$	$\leq \pm 0.010$
Output Sensitivity	mv/v	2.0 \pm 0.002		
Input Resistance	Ω	700 \pm 7		
Output Resistance	Ω	703 \pm 4		
Insulation Resistance	M Ω	$\geq 5000(50VDC)$		
Zero Balance	%FS	1.0		
Temperature, Compensated	°C	-10 ~ +40		
Temperature, Allowed	°C	-40 ~ +80		
Excitation, Recommended	v	5 ~ 12(DC)		
Excitation, Max	v	18(DC)		
Safe Overload	%FS	150		
Ultimate Overload	%FS	300		

Dimension



Zemic Europe

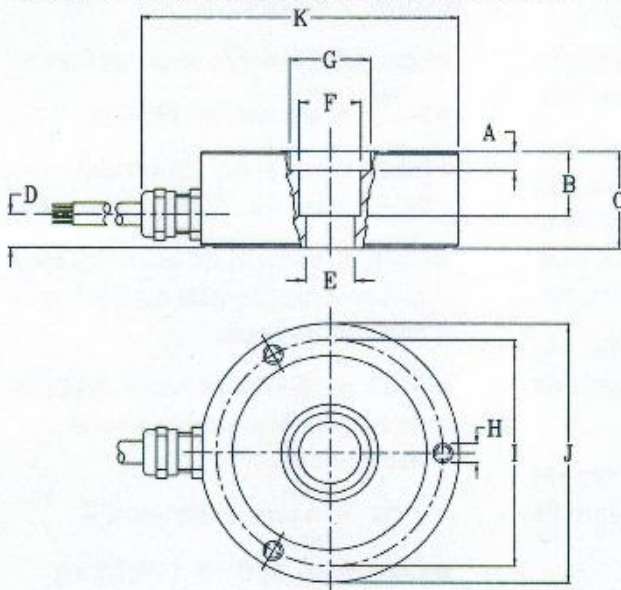
RLC SPECIFICATIONS

PARAMETER	VALUE				UNIT
	0.25, 0.5, 1, 2, 3.5, 5, 10	1, 2, 3.5, 5			
Standard Capacities (E_{max})	0.25, 0.5, 1, 2, 3.5, 5, 10		1, 2, 3.5, 5		t
Accuracy Class According to OIML R-60 / NTEP	Non-Approved	NTEP III L	C3	C6	
Max. Number of Verification Intervals (n_{tr})		10000	3000	6000	
Minimum Verification Interval ($V_{min}=E_{max}/Y$)		--	$E_{max}/10000$	$E_{max}/15000$	
Minimum Verification Interval type MR		--	$E_{max}/20000$	$E_{max}/28000$	
Combined Error	0.0500	0.0200	0.0230	0.0115	±% FSO
Hysteresis			0.0167	0.0083	±% FSO
Minimum Dead Load Output Return*	0.0500	0.0250	0.0167	0.0083	±% applied load
Creep Error (30 Minutes)*	0.0600		0.0245	0.0123	±% applied load
Creep Error (20-30 Minutes)*	0.0200	0.0030	0.0053	0.0026	±% applied load
Temp. Effect on Min. Dead Load Output	0.0250	(0.0010)	0.0070	0.0045	±% FSO/5°C (°F)
Temp. Effect on Min. Dead Load Output MR			0.0035	0.0025	±% FSO/5°C (°F)
Temperature Effect on Sensitivity	0.0250	(0.0008)	0.0050	0.0025	±% applied load/5°C (°F)
Minimum Dead Load			0		% E_{max}
Maximum Safe Overload			150		% E_{max}
Maximum Safe Sideload			100		% E_{max}
Deflection at E_{max}			0.10 ± 0.02		mm
Excitation Voltage			5 to 15		V
Maximum Excitation Voltage			30		V
Rated Output (=S)	2 ± 0.1 (1.75 ± 0.1 for 0.25t, 2.05 ± 0.1 for 10t)				mV/ V
Output Accuracy for multiple LC systems	0.02				±%mV/ V
Zero Balance	= ± 1.0 (1.5 for 0.25 and 10t)				±% FSO
Input Resistance	1110 ± 50 (1100 ± 50 for 0.25 and 10t)				Ω
Output Resistance	1025 ± 25 (1025 ± 50 for 0.25 and 10t)				Ω
Insulation Resistance	≥ 5000				MΩ
Compensated Temperature Range	-10 to +40				°C
Operating Temperature Range	-30 to +70				°C
Storage Temperature Range	-50 to +80				°C
Element Material (DIN)	Stainless Steel 1.4542				
Sealing (DIN 40.050 / EN 60.529)	IP66 and IP68				
Recommended Torque on Fixation Bolts	12 to 14				Nm

* Applies for the temperature range -10 to +40 °C

FSO: Full Scale Output

OUTLINE DIMENSIONS



Capacity (t)	0.25, 0.5, 1	2, 3.5, 5	10
A	1.0	6.0	-
B	15.0	20.0	14.8
C	25.0	30.0	35.0
D	9.5	8.5	10.0
E	M10	15 H7	Ø24.9
F	Ø19	Ø19	Ø29.1
G	Ø25	Ø25	-
H	M6 (3X120°) 8 Deep		
I	Ø70	Ø70	Ø83
J	Ø80	Ø80	Ø95
K	97.5	97.5	112.5

Note: Dimensions in millimeters

Cable specifications:

Cable length: 3m for 0.25 - 1t
5m for 2 - 10t

Excitation + Pink
Excitation - Grey
Output + Brown
Output - White

Cable screen is connected to load cell body.

REVERE TRANSDUCERS EUROPE B.V.
Ramshoorn 7
Postbus 6909, 4802 HX Breda
The Netherlands
Tel: (+31) 76-5480700
Fax: (+31) 76-5412854
E-mail: info@revere.nl
www.revere.nl

REVERE TRANSDUCERS INC.
14192 Franklin Ave
Tustin, CA 92780-7016
U.S.A.
Tel: (+1) 714.731.1234
Fax: (+1) 714.731.2019
E-mail: info@revere-transducers.com
www.revere-transducers.com

Model **RLC** Ring Torsion Load Cell

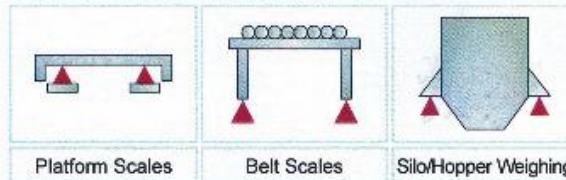


APPROVALS

	C4 $n_c \leq 6000$ $Y \leq 28000$ $Z \leq 7500$
	B10 $n_c \leq 10000$
	II2G Ex ib IIC T6/T4 or IIB T70°C II3G Ex nA II T6/T4 or IIB T70°C
	Factory Mutual System



APPLICATIONS



DESCRIPTION

The RLC is a low profile, high performance stainless steel ring torsion type load cell.

The fully welded construction and glass-to-metal cable-entry ensure that this product can be used successfully in harsh environments found in the food, chemical and allied process industries.

This product is suitable for small and medium platform scales, hoppers and process weighing.

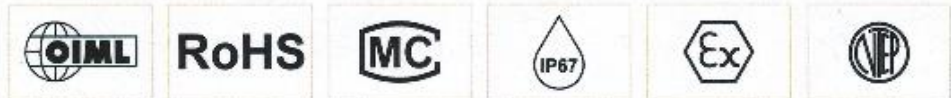
This product meets the stringent Weights and Measures requirements throughout Europe and USA.

FEATURES

- Low profile, stainless steel construction
- Hermetically sealed, IP66/68
- Meets OIML R-60, 6000d and NTEP class III, 10000 divisions
- Outputs are matched to ensure easy and accurate parallel connection of multiple load cells
- ATEX certified versions are available for use in potentially explosive atmospheres
- 1100 Ohm bridge impedance
- Capacities: 250 → 10000 kg



Model: **H8C**
Single Ended Beam



Features

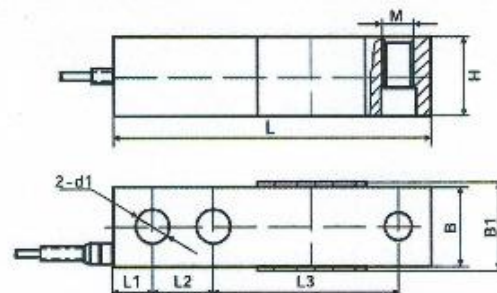
- Capacities: 0.5t ~ 10t
- High accuracy
- Alloy steel construction
- Low profile and nice exterior
- With OIML approval: (PTB: D09-03.19 2)



Specifications

Capacity	t	0.5 / 1 / 1.5 / 2 / 2.5 / 3 / 5 / 10		
Accuracy Class		C2	C3	C4
Max. Number of Verification Intervals	n_{max}	2000	3000	4000
Minimum Loadcell Verification Interval	V_{min}	$E_{max}/5000$	$E_{max}/10000$	$E_{max}/14000$
Combined Error	%FS	$\leq \pm 0.030$	$\leq \pm 0.020$	$\leq \pm 0.018$
Creep	%FS/30min	$\leq \pm 0.024$	$\leq \pm 0.016$	$\leq \pm 0.012$
Temperature Effect on Sensitivity	%FS/10°C	$\leq \pm 0.017$	$\leq \pm 0.011$	$\leq \pm 0.009$
Temperature Effect on Zero	%FS/10°C	$\leq \pm 0.023$	$\leq \pm 0.015$	$\leq \pm 0.010$
Output Sensitivity	mV/V	2.0 ± 0.002		3.0 ± 0.003
Input Resistance	Ω	350 ± 3.5		
Output Resistance	Ω	351 ± 2.0		
Insulation Resistance	M Ω	$\geq 5000(50VDC)$		
Zero Balance	%FS	1.0		
Temperature, Compensated	°C	-10 ~ +40		
Temperature, Allowed	°C	-35 ~ +65		
Excitation, Recommended	v	5 ~ 12(DC)		
Excitation, Max	v	18(DC)		
Safe Overload	%FS	120		
Ultimate Overload	%FS	150		

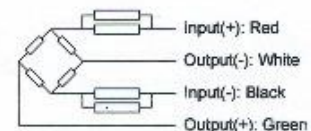
Dimension



Note: Dimensions in millimeters

Capacity	L	L1	L2	L3	H	B	B1	d1	M
0.5 ~ 2 t	130	15.8	25.4	76.2	31.8	31.8	34	13.5	M12 x 1.75
2.5 ~ 5 t	171.5	19.1	38.1	85.3	38.1	38.1	40	19.8	M18 x 1.5
10 t	222.3	24.5	50.8	120.7	50.8	50.8	52.4	25	M24 x 2

Wiring:
Standard cable length: 4m(0.5 ~ 2t)
6m(2.5 ~ 10t)



Zemic Loadcell



www.zemic.nl

Model: **L6F**

Platform Cell

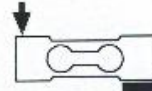


RoHS



Features

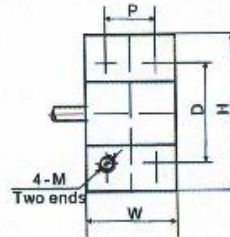
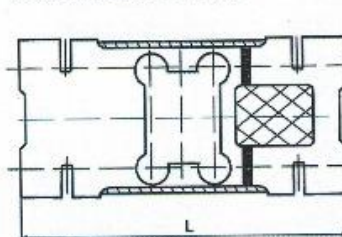
- Capacities: 50kg ~ 2000kg
- High accuracy
- Aluminum parallel beam construction
- Max. platform size:
 - 50 - 200kg 600 × 600
 - 250 - 500kg 600 × 800
 - 750 - 2000kg 1200 × 1200
- Integral installation
- With OIML approval: (PTB: D09-06.10)



Specifications

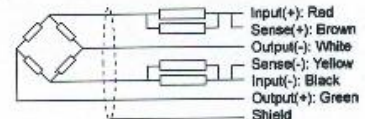
Capacity	kg	50 / 100 / 150 / 200 / 250 / 500 / 750 / 1000 / 2000		
Output Sensitivity	mv/v	2.0 ± 0.2		
Accuracy Class		C3D	C3	C3G
Max. Number of Verification Intervals		2500	3000	4000
Minimum Loadcell Verification Interval	g	$E_{max}/5000$	$E_{max}/7000$	$E_{max}/11000$
Temperature Effect on Zero	%FS/10°C	≤ ± 0.0280	≤ ± 0.0200	≤ ± 0.0127
Temperature Effect on Sensitivity	%FS/10°C	≤ ± 0.0210	≤ ± 0.0175	≤ ± 0.0131
Combined Error	%FS	≤ ± 0.0300	≤ ± 0.0200	≤ ± 0.0150
Creep	%FS	≤ ± 0.0200	≤ ± 0.0187	≤ ± 0.0125
Input Resistance	Ω	408 ± 6		
Output Resistance	Ω	350 ± 3		
Insulation Resistance	MΩ	≥ 5000		
Zero Balance	%FS	2		
Temperature, Compensated	°C	-10 ~ +40		
Temperature, Operating	°C	-20 ~ +50		
Excitation, Recommended	v	5 ~ 15		
Safe Overload	%FS	150		
Ultimate Overload	%FS	300		

Dimension



Capacity	Dimension					
	L	W	H	D	P	M
50-200 kg	166	44	75	50	24	M12
250-500 kg	146	60	95	70	36	M12
750-2000 kg	178	78	125	96	48	M16

Wiring:
Cable length: 3.0 ± 0.1 m.
Cable diameter: 6.2 ± 0.2 mm.



Note: Dimensions in millimeters

Zemic Europe



www.zemic.nl

Model: **HM9B**

Double Ended Beam



Features

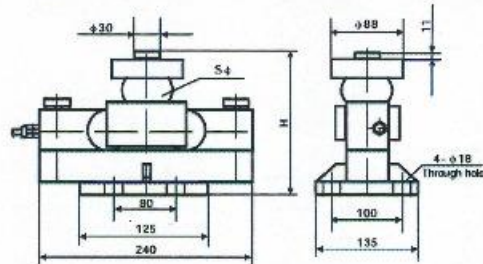
- Capacities: 10t ~ 40t
- High accuracy
- Alloy steel construction
- Easy installation and reliable performance
- With OIML approval: (PTB: D09-06.08)



Specifications

Capacity	t	10/20/25/30/40		
		C1	C2	C3
Accuracy Class		C1	C2	C3
Max. Number of Verification Intervals	n_{max}	1000	2000	3000
Minimum Loadcell Verification Interval	V_{min}	$E_{max}/3000$	$E_{max}/5000$	$E_{max}/7500$
Combined Error	%FS	$\leq \pm 0.050$	$\leq \pm 0.030$	$\leq \pm 0.020$
Creep	%FS/30min	$\leq \pm 0.038$	$\leq \pm 0.023$	$\leq \pm 0.018$
Temperature Effect on Sensitivity	%FS/10°C	$\leq \pm 0.028$	$\leq \pm 0.017$	$\leq \pm 0.011$
Temperature Effect on Zero	%FS/10°C	$\leq \pm 0.047$	$\leq \pm 0.029$	$\leq \pm 0.019$
Output Sensitivity	mv/v	2.0 \pm 0.002		
Input Resistance	Ω	700 \pm 7		
Output Resistance	Ω	703 \pm 4		
Insulation Resistance	M Ω	$\geq 5000(50VDC)$		
Zero Balance	%FS	1.5		
Temperature, Compensated	°C	-10 ~ +40		
Temperature, Allowed	°C	-35 ~ +65		
Excitation, Recommended	v	5 ~ 12(DC)		
Excitation, Max	v	18(DC)		
Safe Overload	%FS	120		
Ultimate Overload	%FS	150		

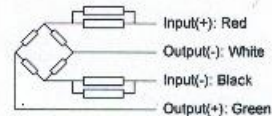
Dimension



Note: Dimensions in millimeters

Capacity	H	S
10 t	195	50
20-40 t	225	76

Wiring:
Standard cable length: 12m.



Zemic Europe



Model: **L6E**
Platform Cell



Features

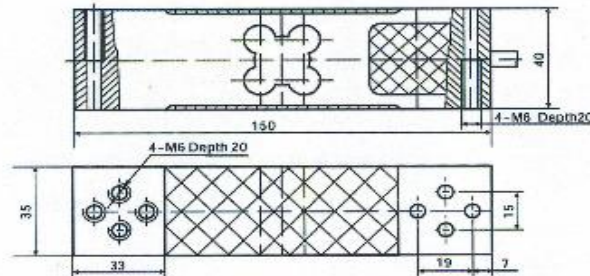
- Capacities: 50kg ~ 300kg
- High accuracy
- Aluminum parallel beam construction
- Max. platform size: 400 × 400
- Integral installation
- With OIML approval: (PTB: D09-03.21)



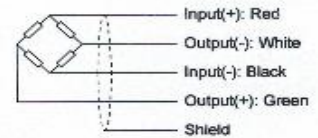
Specifications

Capacity	kg	50 / 60 / 80 / 100 / 150 / 200 / 300		
Output Sensitivity	mv/v	2.0 ± 0.2		
Accuracy Class		C3D	C3	C3G
Max. Number of Verification Intervals		2500	3000	4000
Minimum Loadcell Verification Interval	g	E _{max} /5000	E _{max} /7000	E _{max} /11000
Temperature Effect on Zero	%FS/10°C	≤ ± 0.0280	≤ ± 0.0200	≤ ± 0.0127
Temperature Effect on Sensitivity	%FS/10°C	≤ ± 0.0210	≤ ± 0.0175	≤ ± 0.0131
Combined Error	%FS	≤ ± 0.0300	≤ ± 0.0200	≤ ± 0.0150
Creep	%FS	≤ ± 0.0200	≤ ± 0.0167	≤ ± 0.0125
Input Resistance	Ω	406 ± 6		
Output Resistance	Ω	350 ± 3		
Insulation Resistance	MΩ	≥ 5000		
Zero Balance	%FS	2		
Temperature, Compensated	°C	-10 ~ +40		
Temperature, Operating	°C	-20 ~ +50		
Excitation, Recommended	v	5 ~ 15		
Safe Overload	%FS	150		
Ultimate Overload	%FS	300		

Dimension



Note: Dimensions in millimeters



Wiring:
Cable length: 2 ± 0.1 m.
Cable diameter: 5 ± 0.2 mm.

Zemic Europe



Zemic Europe

Single Ended Beams		Universal Cells		Double Ended Beam		Compression Cells					
	BM11		H8C		HM9B		BM14A		H2F		BM14G
20, 30, 50, 100, 200, 350, 500 kg		0.5, 1, 1.5, 2, 2.5, 3, 5, 10 t		10, 20, 25, 30, 40, 50 t		10, 25, 40, 60, 100 t		1, 2, 3, 5, 10, 15, 20, 30, 50 t		10, 20, 30, 40, 50 t	
PTB  RoHS	C3	OIML  RoHS	C3 / N10	OIML  RoHS	C3	PTB  RoHS	C3 / N10	RoHS		 RoHS	C3
2mVV Sensitivity 0.02% Combined Error IP 68 Standard -10 to 40 deg. C Safe Load 120%		2 or 3 mVV Sensitivity 0.02% Combined Error IP 67 Standard -10 to 40 deg. C Safe Load 120%		2mVV Sensitivity 0.02% Combined Error IP 68 Standard -10 to 40 deg. C Safe Load 120%		2mVV Sensitivity 0.02% Combined Error IP 68 Standard -10 to 40 deg. C Safe Load 150%		2mVV Sensitivity 0.02% Combined Error IP 67 Standard -10 to 40 deg. C Safe Load 120%		2mVV Sensitivity 0.02% Combined Error IP 68 Standard -10 to 40 deg. C Safe Load 150%	
Stainless steel, welding sealed		Alloy steel, nikel plated, adhesive sealed		Alloy steel, nikel plated, welding sealed		Stainless steel, welding sealed, lightning protection		Alloy steel, nikel plated		Stainless steel, welding sealed, lightning protection	
Belt weighing Hostile environments Loss in weight feeders Marine scales Food industries		Hybrid scales Hopper weighing Materials testing Crane scales Hostile environment Process weighing Lever conversation		Weightbridges road Pallet scales Trackscalls High capacity trade weighers Industrial weighers Power problem areas		Weightbridges road Weightbridges rail Tank, silo weighers Hopper weigher Trackscalls High capacity trade weighers Industrial weighers		Tank, silo weighers Hopper weighers Industrial weighers Batching projects		Weightbridges road Weightbridges rail Tank, silo weighers Hopper weigher Trackscalls High capacity trade weighers Industrial weighers	

Zemic Europe

Platform Cells

Type	L6D	L6E	L6F	L6G	L6N	L6T
Capacities	2.5, 3, 5, 8, 10, 15, 20, 30, 35, 40, 50 kg	50, 60, 80, 100, 150, 200, 300 kg	750, 1000, 2000 kg	50, 100, 150, 200, 250, 300, 500, 600 kg	3, 5, 8, 10, 15, 20, 30, 50, 75, 100 kg	50, 75, 100, 150, 200, 250, 300, 500, 635, 1000 kg
Grades	 RoHS	 RoHS	 RoHS	 RoHS	 RoHS	RoHS
Specifications	2mV/V Sensitivity 0.02% Combined Error IP 65 Standard -10 to 40 deg. C Safe Load 150%	2mV/V Sensitivity 0.02% Combined Error IP 65 Standard -10 to 40 deg. C Safe Load 150%	2mV/V Sensitivity 0.02% Combined Error IP 65 Standard -10 to 40 deg. C Safe Load 150%	2mV/V Sensitivity 0.02% Combined Error IP 65 Standard -10 to 40 deg. C Safe Load 150%	2mV/V Sensitivity 0.02% Combined Error IP 65 Standard -10 to 40 deg. C Safe Load 150%	2mV/V Sensitivity 0.02% Combined Error IP 65 Standard -10 to 40 deg. C Safe Load 150%
Materials	Aluminum alloy, colorless anodized	Aluminum alloy, colorless anodized	Aluminum alloy, colorless anodized	Aluminum alloy, colorless anodized	Aluminum, colorless anodized	Aluminum, colorless anodized
Applications	Low cost bench scales Check weighers Bagging scales Platform sizes to 25x35cm	Low cost bench scales Person weighers Medical weighing Platform sizes to 40x40cm	Large platforms Bench scales Check weighers Bag filling Overhead track Platform sizes to 120x120cm	Large platforms Low cost bench scales Check weighers Bag filling Overhead track Platform sizes to 60x60cm	Bench scales Price computing scales Multi head weighers Check weighers Platform sizes to 40x40cm	Check weighers Industrial belt weighers Batching projects



